

8

7

6

5

4

3

2

1

H

G

F

E

D

C

B

A

H

G

F

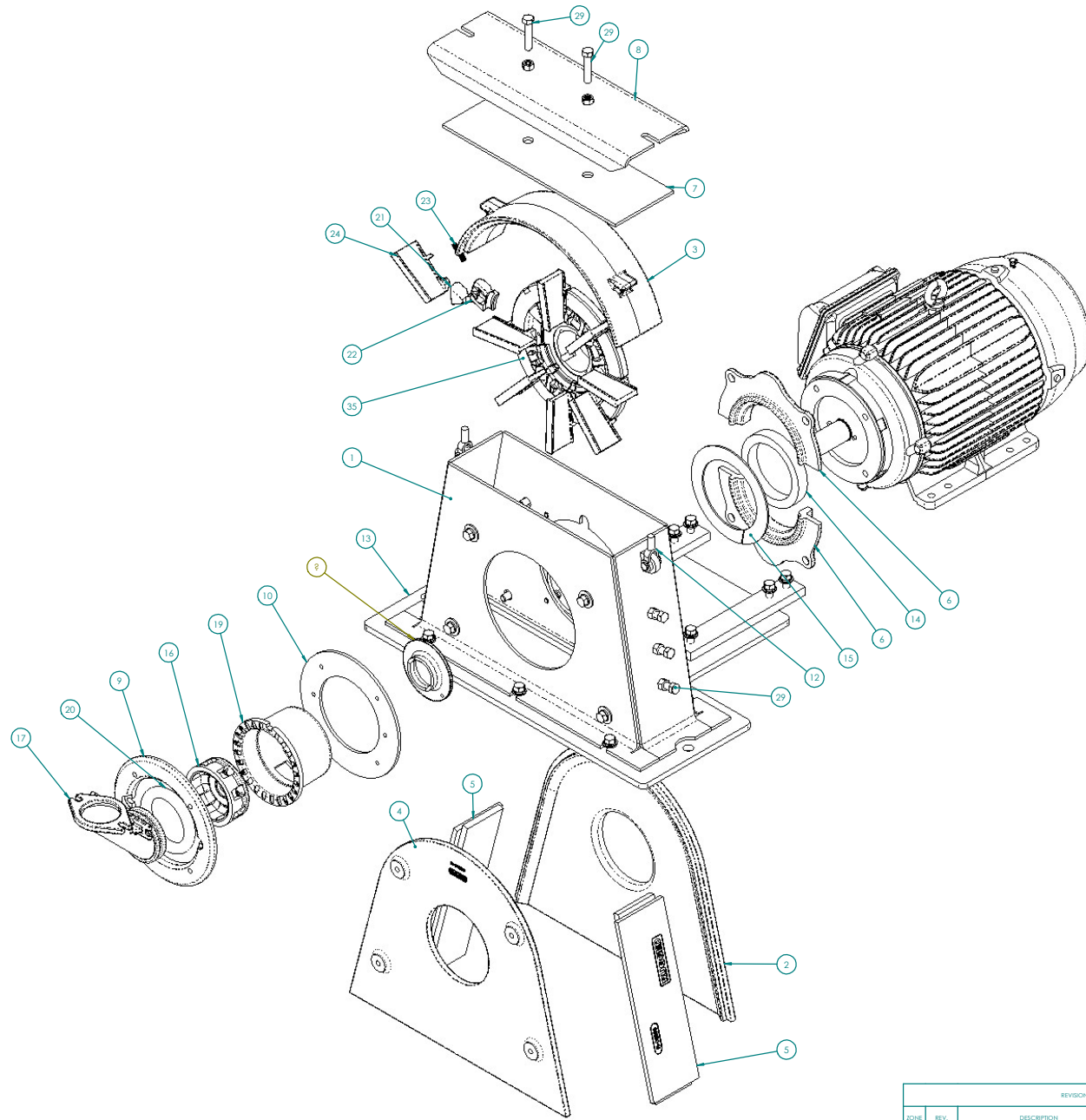
E

D

C

B

A



ITEM NO.	PART NUMBER	DESCRIPTION	QTY.
1	R-12045	WHEEL HOUSING	1
2	R-31940	REAR SIDE LINER	1
3	R-01936	TOP LINER	1
4	R-01939	FRONT SIDE LINER	1
5	R-02308	END LINER	2
6	R-60027	SEAL PLATE	2
7	R-02046	LID LINER	1
8	R-02041	WHEEL LID	1
9	R-51301	CAGE ADAPTER	1
10	R-00268	CAGE RETAINER	1
11	R-00956	TAPER LOCK	1
12	R-01159	THREADED CLEVIS PIN	2
13	R-14230	BASE PLATE WELDMENT	1
14	R-36151	FELT SEAL	1
15	R-46789	SEAL-REAL-INNER	1
16	R-60100	IMPELLER 8 BLADE	1
17	R-00303	FEED SPOUT	1
18	R-60028	CENTERING PLATE	1
19	R-60029	CONTROL CAGE 54 DEGREE	1
20	R-36152	O-RING SPOUT	1
21	R-35011	MEDALLION WEDGE	8
22	R-35010	BLADE MEDALLION	8
23	R-10651	BLADE LOCK SPRING	8
24	R-60025	RIM LOC 15° BLADE	8
25	HBOLT 0.5000-13X1.625X1.25-N		6
26	PREFERRED WIDE FW 0.5		8
27	PREFERRED WIDE FW 0.375		4
28	PREFERRED NARROW FW 0.5		12
29	HBOLT 0.5000-13X2.5X1.25-N		8
30	HBOLT 0.5000-13X1.125X1.125-N		8
31	HBOLT 0.3750-16X1X1-N		4
32	HBOLT 0.5000-13X0.875X0.875-N		6
33	REGULAR LW 0.5		20
34	REGULAR LW 0.375		4
35	RIMLOC BARE WHEEL	RL BARE WHEEL	1
36	R-36153	O-RING CTR PLATE	1

REVISIONS				
ZONE	REV.	DESCRIPTION	DATE	APPROVED

<small>ALL DIMENSIONS UNLESS OTHERWISE SPECIFIED ARE IN INCHES AND DECIMALS THEREOF. DIMENSIONS IN PARENTHESES INDICATE FRACTIONAL DIMENSIONS.</small>	FINISHED WEIGHT	434.83	DRAWN ACM DATE 09/09/2023	
	BREAK ALL SHARP EDGES	REACHIE ALL BURRS	APPROVED ACM DATE 09/23/2023	
	ALL WELDS TO COMPLY TO AWS D11 WELD STANDARDS	TOLERANCES UNLESS OTHERWISE SPECIFIED: .XX ± .03 .XXX ± .005 .XXXX ± .0015 + .1	DESCRIPTION RIM LOC 15° BLAST WHEEL	
	SCALE 1 = 1	SHEET NUMBER 1 of 1	PART NUMBER R-800238	

8

7

6

5

4

3

2

1