



YOUR ONE-STOP SHOP

For Blast Wheel Aftermarket Replacement Parts

Maximum Performance, Value & Wear Life

RUGGED is a trusted supplier of aftermarket replacement parts for blast wheels and other blast machine components including tune-up kits, bare wheels and hubs, blades and vanes, complete blast wheel assembly, wear plates, and elevator belts and buckets.

We take pride in our mission to uphold the standard of excellence in American-made components while offering them at fair and reasonable prices. All RUGGED parts are designed, cast, machined, and assembled in the USA. Our engineering team designs each part to meet or exceed OEM component performance. We use only premium-grade materials and often produce the parts in the same domestic facilities as the original manufacturers.

When you choose RUGGED, you choose parts engineered to maximize longevity while optimizing your operating costs. We guarantee the exceptional durability you expect while providing maximum value. Get in touch today to experience the RUGGED difference.

Blast Wheel Assemblies

Tune-Up Kits

Bare Wheels

Wheel Hubs

Blade Sets & Vanes

Wheel Liners

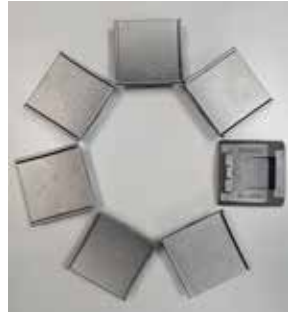
Blast Wheel Housings

Abrasive Valves

Wheel Motors

Quality Replacement Parts For Major OEMs






RUGGED Spare Parts List for Gibson style

GIBSON P/N	DESCRIPTION	RUGGED P/N	GIBSON P/N	DESCRIPTION	RUGGED P/N
G12045	Housing	R-12045	G12064	Blade set	R-12064
G01936	Top liner	R-01936	G51116	Blade block set - CW	R-51116
G01938	Rear side liner	R-01938	G51117	Blade block set - CCW	R-51117
G01939	Front side liner	R-01939	G00294	Shear ring, set	R-00294
G02308	Long end liner	R-02308	G00293	Hub seal	R-00293
G01937	Short end liner	R-01937	G00302	Feed spout seal	R-00302
G51292	Hub seal	R-51292	G00137	Centering plate	R-00137
G02046	Blast housing cover liner	R-02046	G00136	Impeller	R-00136
G02041	Housing lid	R-02041	G14230	Base plate weldment	R-14230
G00291	Hub	R-00291	G01159	Threaded clevis pin	R-01159
G51301	Cage Adapter	R-51301	G81029	Motor, 7.5 hp	R-81029
G00268	Cage retainer	R-00268	G80546	Motor, 10 hp	R-80546
G00138	Control Cage	R-00138	G81030	Motor, 15 hp	R-81030
G24282	Bare wheel	R-24282	G04114	Impeller bolt	R-04114
G00303	Feed spout	R-00303	G00962	Lock washer - Special 5/8"	R-00962
G01204	Bushing adapter	R-01204	G03910	Blade block screw	R-03910
G00956	Bushing, 1-5/8"	R-00956	G03920	Blade block screw	R-03920

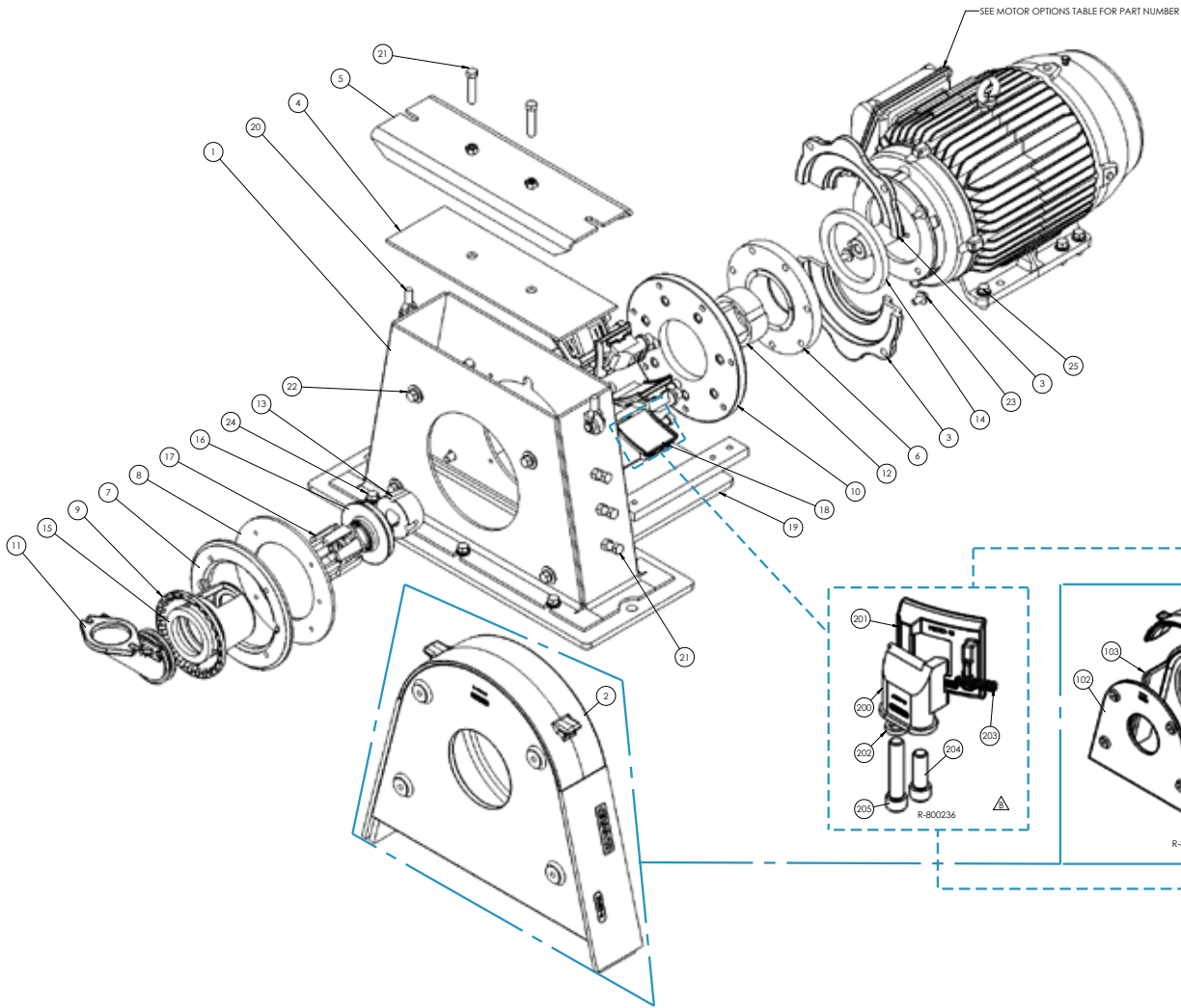
When you need a trusted partner for your shot
blast parts and equipment,

GO RUGGED

 1-800-300-1383

 ruggedequipment.com

 ruggedsales@ruggedequipment.com



ITEM NO.	PART NUMBER	DESCRIPTION	QTY.
1	R-12045	WHEEL HOUSING	1
2	R-800237	LINER PACKAGE	1
3	R-51292	HUB SEAL	2
4	R-02046	LID LINER	1
5	R-02041	WHEEL LID	1
6	R-00291	WHEEL HUB	1
7	R-51301	CAGE ADAPTER	1
8	R-00268	CAGE RETAINER	1
9	R-00138	CONTROL CAGE	1
10	R-24282	BARE WHEEL	1
11	R-00303	FEED SPOUT	1
12	R-01204	TAPER-LOCK HUB 2517	1
13	R-00956	TAPER LOCK 2517 X 1.38	1
14	R-00293	FELT SEAL	1
15	R-00302	FOAM SEAL	1
16	R-00137	CENTERING PLATE	1
17	R-00136	IMPELLER, 7 BLADE	1
18	R-800236	BLADE BLOCK ASSEMBLY	7
19	R-14230	BASE PLATE WELDMENT	1
20	R-01159	THREADED CLEVIS PIN	2
21	-	HEX BOLT, 1/2-13UNC X 2.50LG	8
22	-	HEX BOLT, 1/2-13 UNC X 1.125 LG	8
23	-	HEX BOLT, 3/8-16 UNC X 1.00LG	4
24	-	HEX BOLT, 1/2-13 UNC X 0.88 LG	6
25	-	HEX BOLT, 1/2-13 UNC X 1.63LG	6
26	-	LOCK WASHER, 0.50 DIA	20
27	-	WASHER, 0.38 DIA	4
28	-	WASHER, 0.50 DIA WIDE	8
29	-	WASHER, 0.38 DIA WIDE	4
30	-	WASHER, 0.50 DIA	12

R-800237 BOM REFERENCE			
ITEM NO.	PART NUMBER	DESCRIPTION	QTY.
100	R-01938	REAR SIDE LINER	1
101	R-01936	TOP LINER	1
102	R-01939	FRONT SIDE LINER	1
103	R-02308	LONG END LINER	2
104	R-01937	SHORT END LINER	2

ITEMS 103 & 104 ARE OPTIONS THAT REPLACE ONE ANOTHER

R-800236 BOM REFERENCE			
ITEM NO.	PART NUMBER	DESCRIPTION	QTY.
200	R-51117	BLADE BLOCK (CCW)	1
201	R-12064	BLADE	1
202	R-00294	SHEAR RING	1
203	R-10651	BLADE LOCK SPRING	1
204	R-03910	BLADE BLOCK SCREW SHORT	1
205	R-73920	BLADE BLOCK SCREW LONG	1

MOTOR OPTIONS	
5HP	R-81040
7.5HP	R-81029
10HP	R-80546
15HP	R-81030

THE INFORMATION ON THIS DRAWING IS THE SOLE PROPERTY OF RUGGED. IT IS TO BE USED ONLY FOR THE PROJECT AND FOR THE QUANTITY SPECIFIED. ANY REUSE OR MODIFICATION WITHOUT THE WRITTEN PERMISSION OF RUGGED IS STRICTLY PROHIBITED.	FINISHED WEIGHT 430.79	DRAWN ACM	DATE 09/09/2023	
	BREAK ALL SHARP EDGES REMOVE ALL BURRS ALL WELDS TO COMPLY TO AWS.D1.1 WELD STANDARDS	CHECKED ACM	DATE 09/23/2023	
		APPROVED ACM	DATE 09/26/2023	
		TOLERANCES UNLESS OTHERWISE SPECIFIED: XX ± .03 XXX ± .005 XXXX ± .0015 ± 1°		
DESCRIPTION: <h2 style="text-align: center;">12" BLAST WHEEL</h2>				
SHEET 1 of 1		PART NUMBER R-800235		REV B

REVISIONS				
ZONE	REV.	DESCRIPTION	DATE	APPROVED
B2, B4, B8	A	RELEASED FOR PRODUCTION	09/26/2023	ACM
	B	UPDATED PRINT DETAILS AND BOMS	10/6/2023	ACM

SCALE 1:4	DATE 10/6/2023
--------------	-------------------